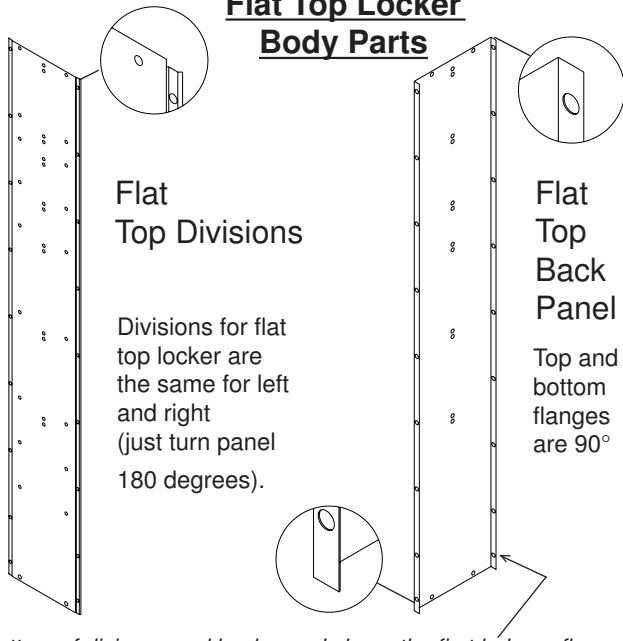


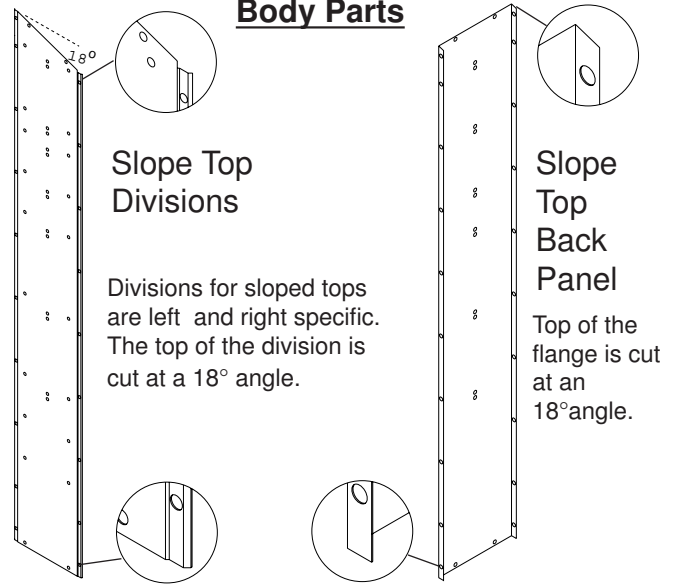


# MAJOR LOCKER COMPONENTS For 1,2,3,4,5,6 TIER AND MULTI-TIER DOORS

## Flat Top Locker Body Parts



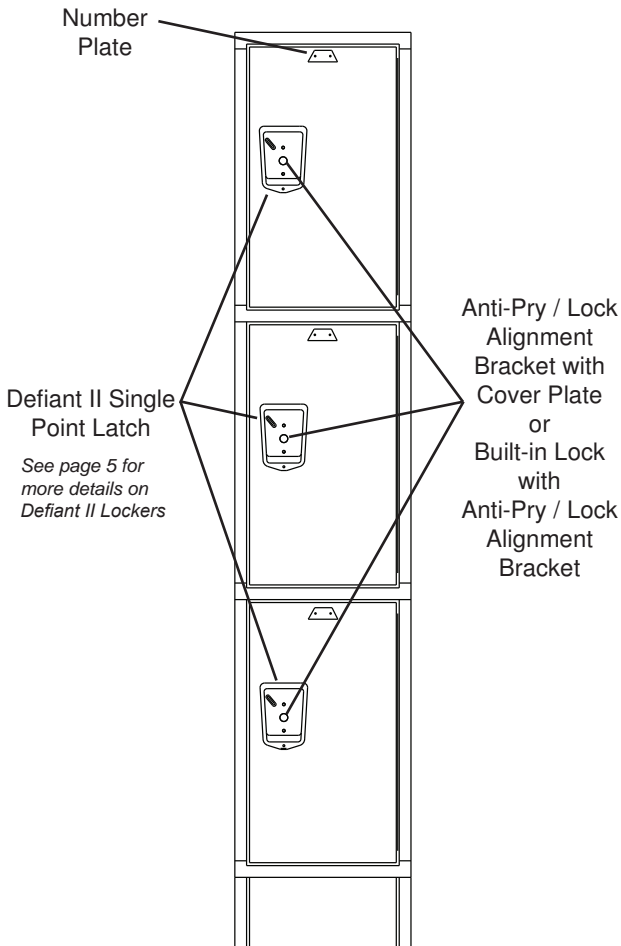
## Slope Top Locker Body Parts



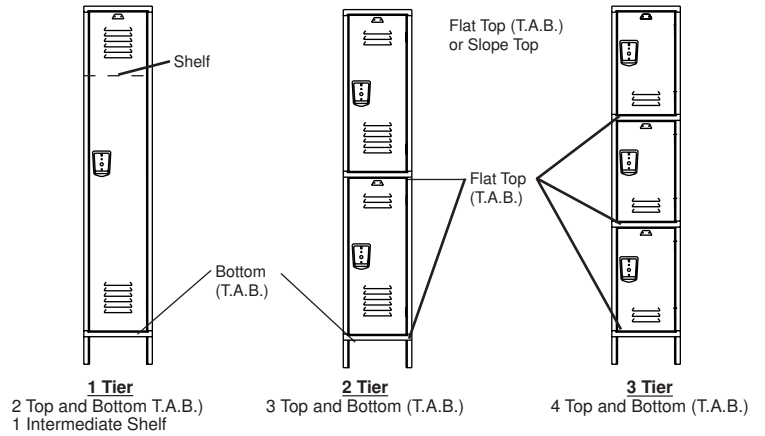
Bottom of divisions and back panels have the first hole on flange 1-3/4" from edge, (top of divisions and back panel have the first hole 1-1/4" from edge).

## Illustration of Number Plate, Lock Hole Cover Plate or Built-in Locks Positioning

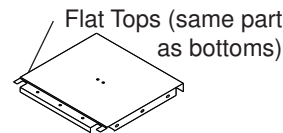
### Defiant II Locker (Single Point Latch)



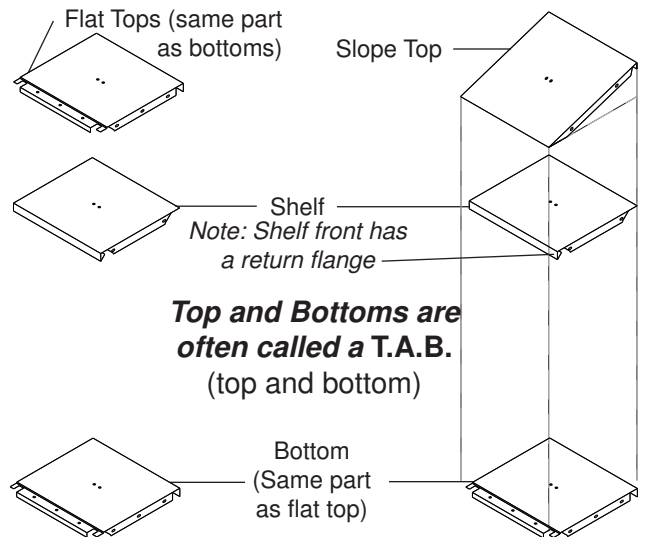
## Locker Tops, Bottom (T.A.B.) and Shelves



### Flat Top



### Slope Top



**Top and Bottoms are often called a T.A.B. (top and bottom)**

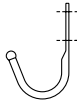
Single row lockers must be floor and wall anchored, double row lockers must be floor anchored and if possible wall or ceiling anchored.

# HARDWARE AND SMALL LOCKER PARTS

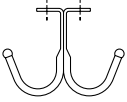
Not all parts come with all lockers. Check packing list for what parts are to be used with what models of lockers.



**Number Plate and Rivet**  
To be riveted to top of locker door.



**Single Prong Wall Hook**  
To be bolted to divisions and to back panel.



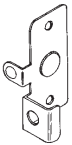
**Single & Double Prong Ceiling Hook**  
To be bolted to bottom of shelf or top of locker.



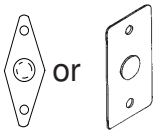
**Coat Rod Hooks with Rod**  
Hooks to be bolted to divisions with coat rod in between, used in single tier, Duplex, 2,7,8 person and Dual lockers 18" or more in depth.



**Hook Clip**  
Used to attach single prong wall hooks and coat rod hooks in lockers with Diamond Perforated divisions at ends only.



**Door Pull**  
Used on box locker door unless a built-in lock is used. To be mounted on inside of door with pull tab inserted through vertical slot in door.



**Lock Hole Cover Plate**  
Used to cover hole in door when built-in locks are not used. To be mounted on inside of door.

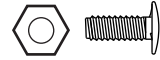
## Nuts and Bolts

10—24 x 3/8"



Truss fin head bolt and nut for assembly of locker body parts. Tighten nut with a wrench or nut driver. (bolt is tamper resistant so it has no slot for a screw driver)

10—24 x 1/2"

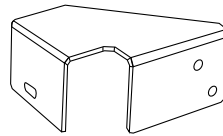


Truss fin head bolt and nut for assembly of the entire Invincible II locker. In the Vanguard and Guardian lockers this nut and bolt is used in joining locker groups, locker legs and 2 hooks with the partition between the hooks. Tighten nut with a wrench or nut driver (bolt is tamper resistant so it has no slot for a screw driver)

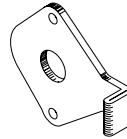
NO. 8 x 3/8 "



Sheet metal screw for slope tops only.



**Bracket Support (Defiant II)**  
Strengthens locking point on Defiant II lockers. Bolts to Defiant II hasp and to side of locker.

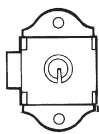


**Anti-Pry / Lock Alignment Bracket (Defiant II)** Used on back of recessed pocket in Defiant II Lockers (Single Point Latch).

## Optional Items That are Ordered Separately from Locker



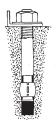
**Combination Padlock** (9/32" or .281" Shackle)  
Used to secure locker door when built in lock is not used. Lock may come from another supplier other than Penco Products.



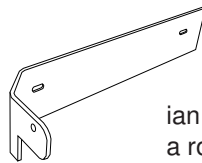
**Built-in Key Lock**  
Used to secure locker door when padlock is not used. This lock replaces Lock Hole Cover Plate or Door Pull. To be mounted on inside of door. Lock may come from another supplier other than Penco Products.



**Locker Shoe**  
Can be used on the front legs of locker to secure to floor. Protects floor along with leveling lockers on an uneven floor.



**Concrete Floor Anchor**  
1/4 x 2" Used to secure locker to a concrete floor. Bolt type will vary with floor type.



**Side Stiffener (Defiant II Guardian Doors Only)**

When built-in locks are used on Defiant II Guardian Lockers (24 gauge side panels), the last locker in a row of lockers, is to have a Side Stiffener bolted to the Defiant II lock hasp and side of locker (replaces Bracket Support if built-in lock are used).



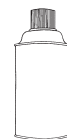
**Built-in Combination Lock**

Used to secure locker door when padlock is not used. This lock replaces Lock Hole Cover Plate or Door Pull. To be mounted on inside of door. Lock may come from another supplier other than Penco Products.



**Safe-O-Mat Coin Operated Lock**

Used to secure locker door when padlock is not used. This lock replaces Lock Hole Cover Plate. Lock engages when token or coin is deposited.



**Touch Up Paint**

Used to touch up paint finish (21 standard colors).

*Single row lockers must be floor and wall anchored, double row lockers must be floor anchored and if possible wall or ceiling anchored.*

# DEFIANT LOCKER ASSEMBLY INSTRUCTIONS

START

**1** Place Locker Back on a flat surface or saw horses and Bolt Top and Bottom (TAB) to inside of Back

Top and Bottom (TAB)

**3** Bolt Shelf to Side Panel and Back

**2** Bolt Division (Side Panel) to inside of Back and outside of Top (TAB)

**2** Bolt Division (Side Panel) to inside of Back and outside of Top (TAB)

**2**

Back

Side Panel

Shelf

Back

Top and Bottom (TAB)

Side Panel

**3** Bolt Top and Bottom (TAB) to Side Panel and Back (repeat step if 3 Tier)

Top and Bottom (TAB)

Back

Side Panel

Back

Adj. Leg

Adj. Leg

Adj. Leg

**4**

**4**

**4**

If legs are supplied, bolt Adjustable Leg inside of Side Panel (leg height can be adjusted to level and anchor locker)

**5**

FOR SINGLE LOCKER

FOR ROW OF LOCKERS

**6**

FOR 2 TIER

FOR 3 TIER

FOR SINGLE TIER

**If Coat Rod is supplied (Single tier lockers only)**

Before bolting TAB and Shelf to division, install coat rod hooks on the inside of divisions. Spread apart division and then insert coat rod into coat rod holder on coat rod hook.

Back

FOR SINGLE LOCKER

FOR ROW OF LOCKERS

Bolt Bottom (TAB) to inside of Back and then bolt Divisions to Back, TAB, and shelf or shelves if provided.

Bolt Bottom (TAB) to inside of Back and Divisions. Then bolt through Back, Division and the next locker's back. If legs are supplied, see Rear Leg Spacing for Single Row Lockers below. Then repeat steps 1 to 5. Due to size and bulk, it is best to build lockers in groups of no more than 3 wide before putting doors on and then putting them in place.

*Locker Frames show with legs*

Place Locker Door and Frame over edges of Divisions (Side Panels), and edges of Top and Bottom (TAB). Open Door and bolt Door Frame to Divisions, Top and Bottoms (TABs). If needed, loosen bolts on Legs to level locker and then re-tighten.

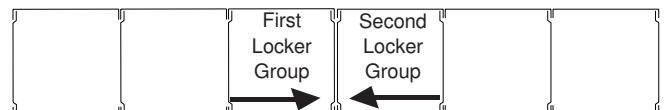
## REAR LEG SPACING FOR SINGLE ROW LOCKERS

**IMPORTANT:** If lockers have been ordered with grouping specified, assemble lockers as ordered. Back legs should not exceed 45" distance between legs. If grouping has not been specified assemble lockers using the chart.

Width of Single Locker (inches)	7-1/2"	9"	12"	15"	18"	24"
Lockers in a Single Row Grouping	9	8	7	6	4	3
Back Legs in Each Grouping	9	6	5	4	3	2

## JOINING LOCKER GROUPINGS

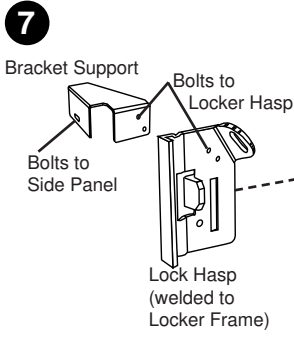
*Top View of Two Groupings of Three Lockers*



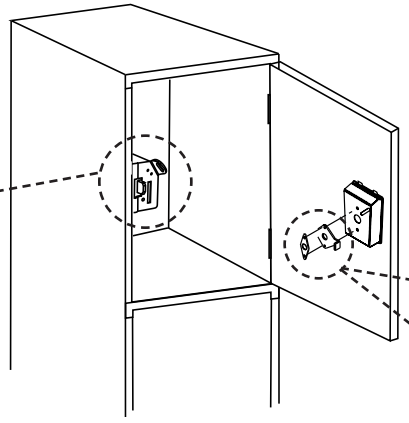
**FOR SAFETY PURPOSES WE STRONGLY RECOMMEND THAT ALL LOCKERS BE EITHER FLOOR OR WALL ANCHORED**

*Single row lockers must be floor and wall anchored, double row lockers must be floor anchored and if possible wall or ceiling anchored.*

# DEFIANT LOCKER ASSEMBLY INSTRUCTIONS

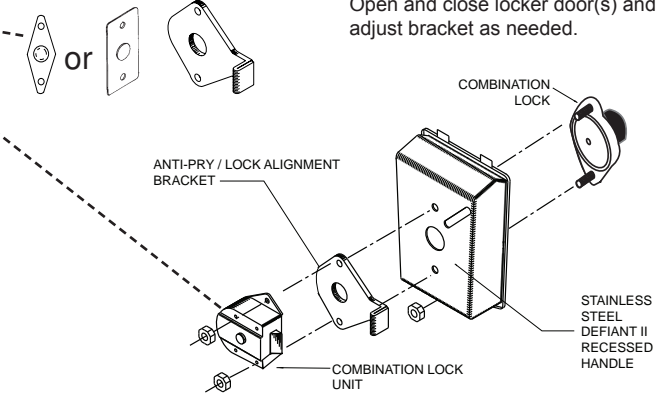


**7** Open door(s) and use 2 bolts to mount bracket support to lock hasp and one bolt to side panel. If built-in locks are to be used on the left hand end of a row and the locker has light gauge side panels replace the bracket support with a side stiffener (see page 3).



**8** FOR : LOCKERS W/ PADLOCKS  
Insert bolts into recessed pocket and then attached Anti-Pry/Lock Alignment Bracket and then the Lock Hole Cover Plate and then tighten bolts. Open and close locker door(s) and adjust bracket as needed.

FOR : LOCKERS W/ BUILT-IN LOCKS  
Place the Anti-Pry / Lock Alignment Bracket on the back side of the recessed pocket first, followed by the back of the lock unit as shown in the drawing. Insert the combination dial mechanism in the front of the pocket, and attach with 2 nuts. Open and close locker door(s) and adjust bracket as needed.

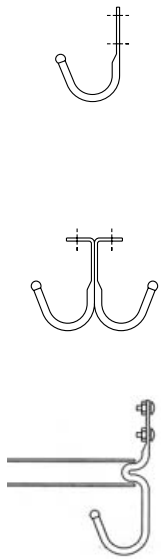


**9** If supplied, bolt Double Pronged Ceiling Hook to Shelf and Single Prong Wall Hooks to Division or Back. If coat rod is supplied, refer to step 5. See Hook and Rod Guidelines below for more details.

**10** Rivet number plates to top of doors.

## Hook and Coat Rod Guidelines

Number of Pieces Supplied per Locker FRAME \* - Standard Construction Only



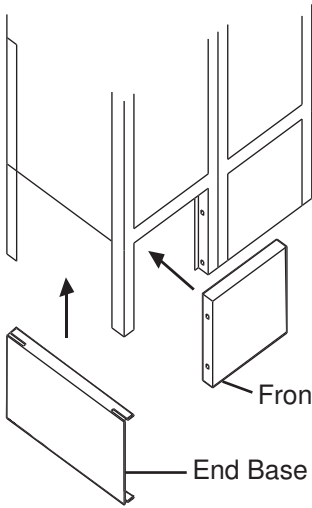
	1 Tier	2 Tier	3 Tier	4,5,6,8,9 Tier	2 Person	7 Person	8 Person	16 Person	Duplex	Dual
<b>Single Prong Hooks</b>										
Depth Less than 18" AND:										
... Width less than 15"	3	6	9	-	n/a	n/a	n/a	n/a	n/a	4
... Width =15" or more	4	8	12	-	4	n/a	n/a	n/a	4	4
Depth 18" or more AND:										
... Width less than 15"	1	6	12	-	n/a	-	-	n/a	n/a	-
... Width =15" or more	2	8	12	-	-	-	-	n/a	-	-
<b>Double Prong Hooks</b>										
Depth 18" or more										
... Width is LESS than 21"	1 **	2	-	-	-	n/a	n/a	n/a	-	-
... Width is 21" or more	2	4	-	-	n/a	n/a	n/a	n/a	n/a	-
<b>Coat Rod Hooks</b>										
Depth Less than 18"										
Depth 18" or more	2	-	-	-	4	2	4	-	4	4
<b>Coat Rods</b>										
Depth Less than 18"										
Depth 18" or more	1	-	-	-	2	1	2	1	2	2

n/a: Not Applicable in Standard Construction

\* Exceptions: 7, 8 & 16 Person quantities are for entire unit.

\*\* Exception: Single Tier 9" wide x 15" deep has NO Double Prong Hooks

*Single row lockers must be floor and wall anchored,  
double row lockers must be floor anchored and if possible wall or ceiling anchored.*



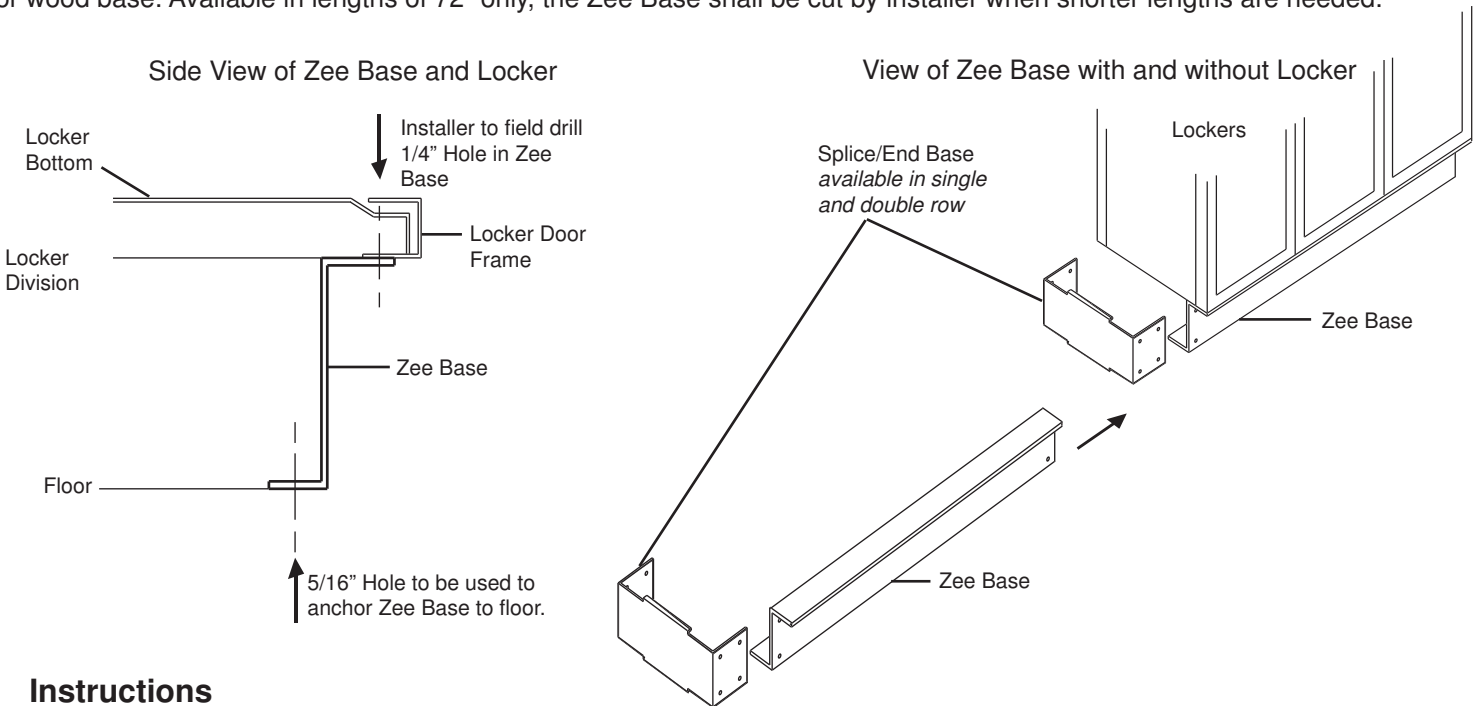
## INDIVIDUAL CLOSED BASES

Front and end bases are designed to fit between standard Penco 6" legs. The front base snaps in between the front legs. The end base slips over legs during locker assembly.

1. Before standing locker up and placing the locker in position, slide the End Base up the leg of the end of the locker row.
2. Stand locker up and put the lockers in proper position.
3. Snap Front Base between the front legs of each locker so that the two tabs on either side of Front Base match up with the square slots in the front legs.

## ZEE BASE: for lockers to be anchored to wall

Zee Base raises lockers without legs off the floor and provides a continuous closed base. It is used when there is no concrete or wood base. Available in lengths of 72" only, the Zee Base shall be cut by installer when shorter lengths are needed.



### Instructions

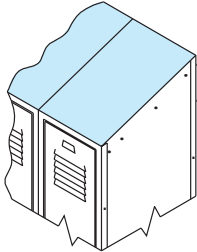
1. Match Zee Bases and Splice/End Bases to lockers, site plan and installation location.
2. Use Splice/End Base as a template to position Zee Base.
3. Place Splice/End Base flush against wall (thinner side with holes) or create a chalk line as a positioning guide.
4. Create a chalk line for Zee Base positioning using Splice/End Bases as a measuring device.
5. Butt Zee Base against other side of Splice/End Base.
6. Measure locker depth and make sure Locker Door Frame will rest on Zee Base. (there should be a 1/4 inch space between the end of Zee Base and outside edge of Locker Door Frame).
7. Use the two sets of holes on the Splice/End Base to bolt together 2 lengths of the Zee Base.
8. Recheck measurements of Locker, Zee Base position, and site plans.
9. Anchor Zee Bases and Splice/End Base to floor with proper drill and bolt for the floor surface.
10. Assemble Single Row Lockers as per instructions on page 4 or assemble Double Row Lockers as per instructions on page 8 except when installing Door and Door Frame leave bolts at bottom of Door Frame off.
11. Place assembled locker on Zee Base (there should be a 1/4 inches space between the end of Zee Base and outside edge of Locker Door Frame).
12. Use the bottom hole of the Door Frame to position drill and drill a 1/4" hole through the top of the Zee Base.
13. Place bolt through Door Frame and Zee Base. Place nut on Zee Base side of bolt and tighten. Repeat steps 12 and 13 for each door.

*Single row lockers must be floor and wall anchored,  
double row lockers must be floor anchored and if possible wall or ceiling anchored.*

## Unit Slope Tops

Unit Slope Tops are used with Slope Top Divisions. One Unit Slope Top covers the width of one locker frame. (*Not for use on Invincible II or All-Welded lockers.*)

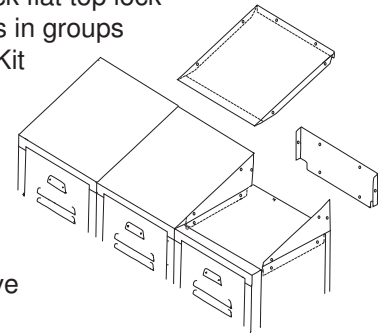
1. Open door to locker so you have access to top of locker.
2. Bolt unit slope top to divisions and back.
3. Insert sheet metal screws up the hole in the top of the door frame and fasten the front of the unit slope top to locker.
4. Repeat steps 1-4 as needed.



Unit Slope Tops			
Size (Inches)			Cat. No.
W	D	H	
9	12	-	60332C
9	15	-	60334C
9	18	-	60336C
12	12	-	60338C
12	15	-	60340C
12	18	-	60342C
12	21	-	60344C
15	12	-	603450C
15	15	-	60346C
15	18	-	60348C
15	21	-	60350C
18	18	-	60352C
18	21	-	60354C
18	24	-	60356C
24	18	-	60364C
24	21	-	60366C
24	24	-	60368C

## Slope Top Kit

Designed to convert stock flat top lockers into slope top lockers in groups of 3 wide. Each 3 wide Kit contains 3 tops, 3 backs and 4 ends. (*Not for use on Invincible II or All Welded lockers.*)



1. If there is a Flat Top (T.A.B.) on locker, remove bolts on sides and back.
2. Bolt Slope End to inside of locker.
3. Bolt Slope Back to outside of locker back and inside of Slope End.
4. Bolt slope top to sides and back.
5. Repeat steps 1-4 as needed.

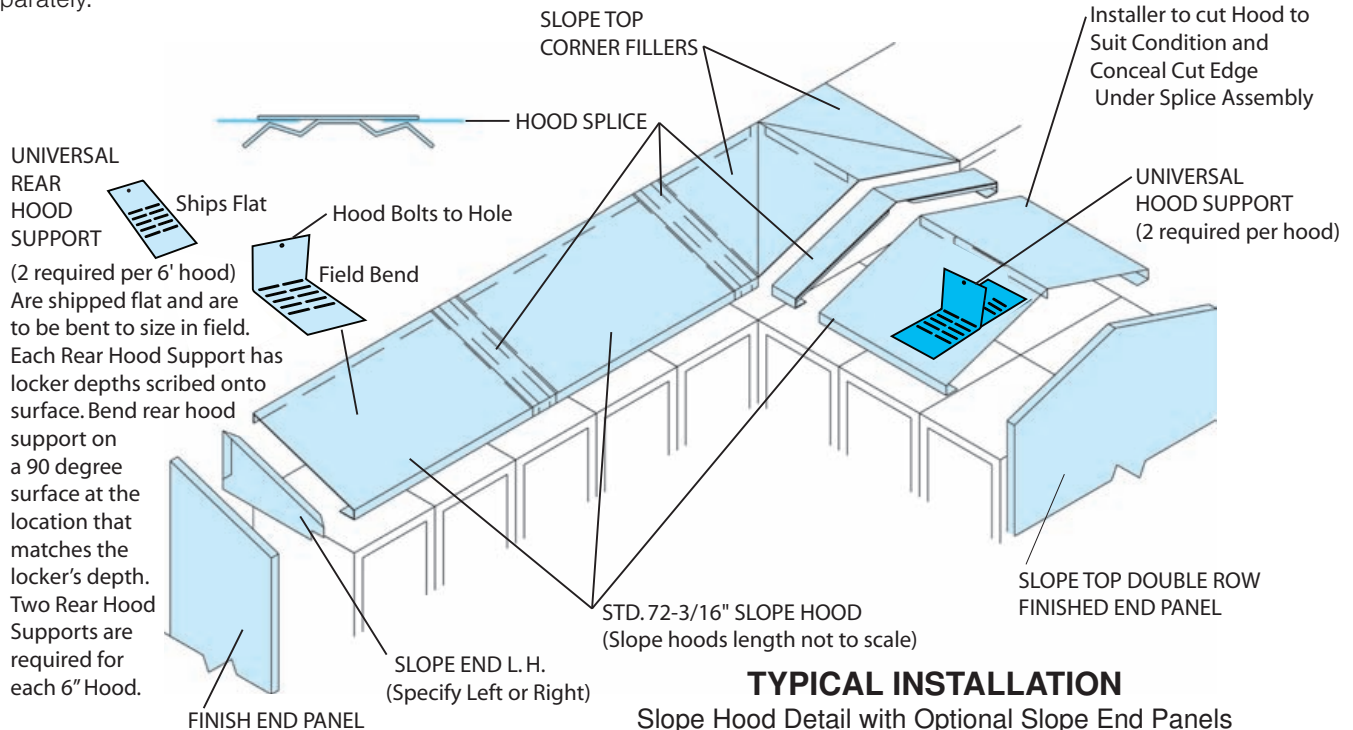
Slope Top Kits (3 wide kit)			
Size (Inches)			Cat. No.
W	D	H	
12	12	4	60230H
12	15	5	60232H
12	18	6	60234H
15	15	5	60238H
15	18	6	60240H
18	18	6	60244H

## Continuous Slope Hoods

Continuous slope hoods fit on top of flat top lockers. They can be used on new lockers, or on a retrofit basis. All hoods are furnished in 72" lengths and must be cut to length during installation. Intermediate splices, ends and rear supports (2 per hood) complete the installation, and must be ordered separately.

Slope Hoods			
Size (Inches)			Cat. No.
W	D	H	
72	12	5	66144H
72	15	6	66147H
72	18	7	66150H
72	21	8	66153H
72	24	9	66156H

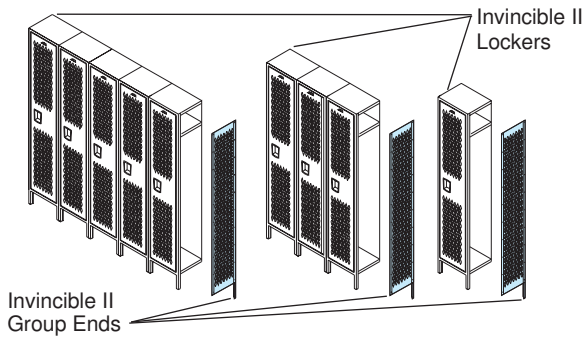
Size (Inches)		Slope Ends		Hood Splice	Universal Rear Hood Support
D	H	LH	RH		
		Cat. No.		Cat. No.	Cat. No.
12	5	66158H	66159H	66168C	66070 (one size fits all)
15	6	66160H	66161H	66169C	
18	7	66162H	66163H	66170C	
21	8	66164H	66165H	66171C	
24	9	66166H	66167H	66172C	



Single row lockers must be floor and wall anchored, double row lockers must be floor anchored and if possible wall or ceiling anchored.

# INVINCIBLE II LOCKERS

## Invincible II Group End Kits

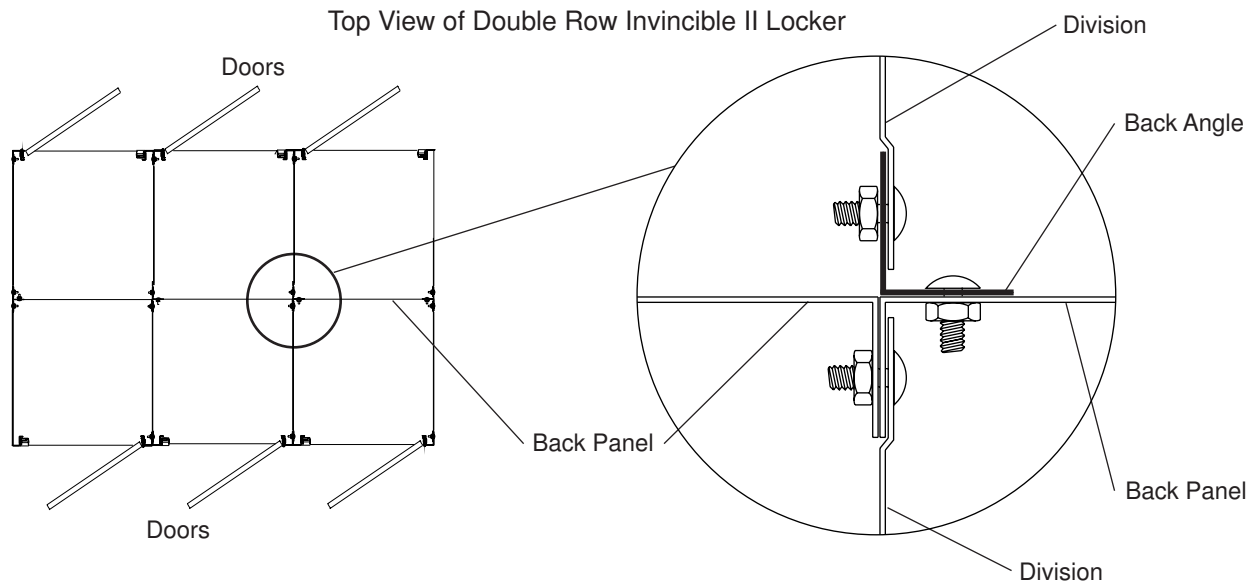


Invincible II lockers do not automatically come with group ends, they must be ordered separately. If you are short group ends, check with the person who ordered the lockers.

*NOTE: solid divisions (group ends) are sometimes ordered to end rows of lockers that have perforated divisions everywhere else. Refer to drawings provided by the person who ordered the lockers for all layout details.*

## Double Row Invincible II Lockers

Invincible II lockers do not use a double row division. Two single row divisions are joined together with a back angle and use a common back. This back angle is bolted to the back and then bolted to the division of the second row of lockers. Add these steps to **Operation 1 and 3** of the **Assembly of Double Row (Back to Back) Lockers** on page 8.



**PENCO PRODUCTS, INC.**

99 Brower Ave., PO Box 378,

Oaks, PA 19456-0378

800-562-1000 • Fax 610-666-7561

***www.pencoproducts.com***